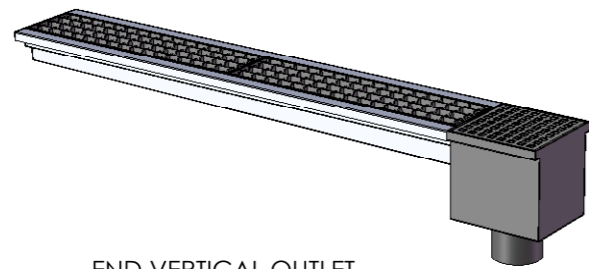
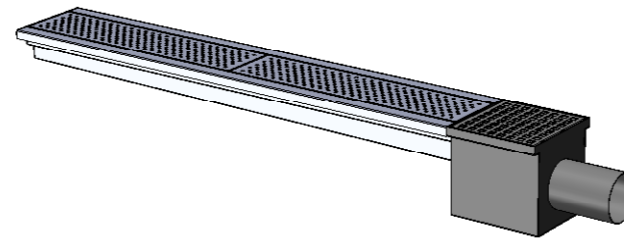


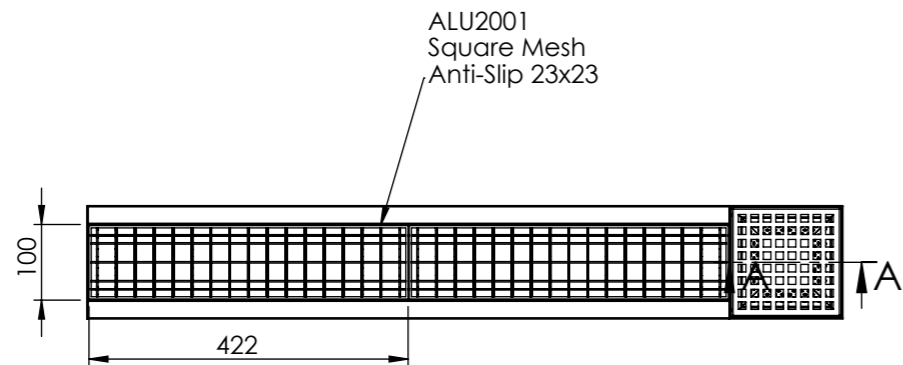
REVISIONS		
REV.	DESCRIPTION	DATE



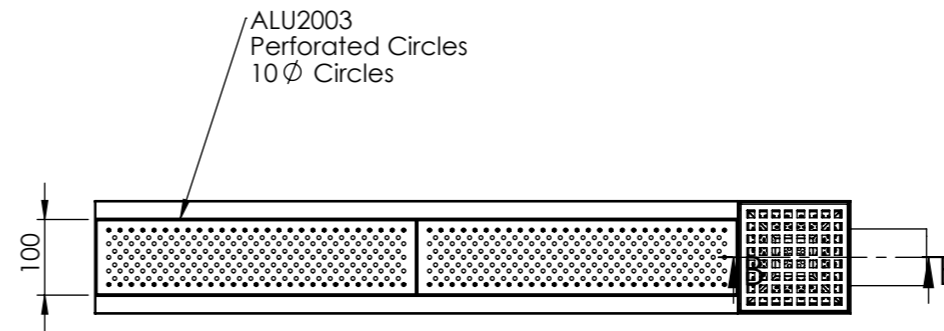
END VERTICAL OUTLET



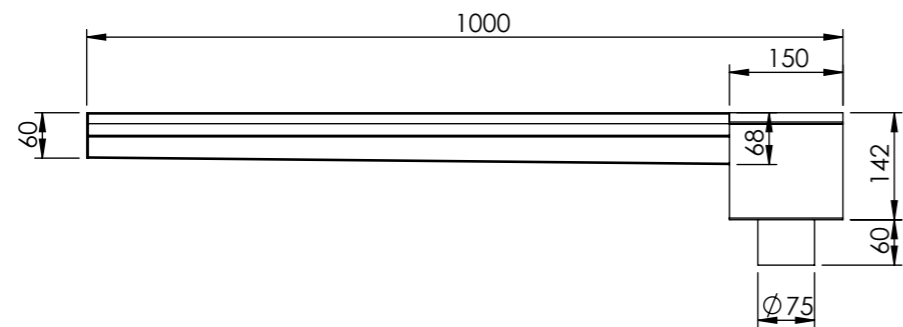
END HORIZONTAL OUTLET



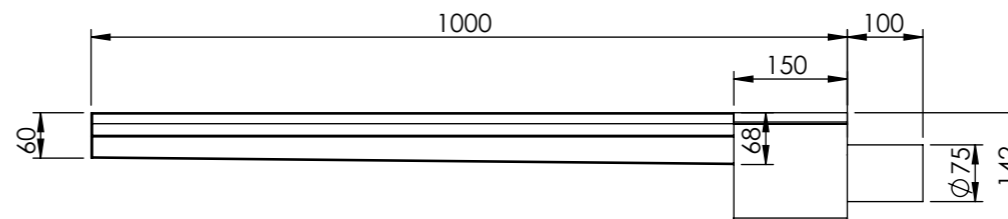
TOP VIEW



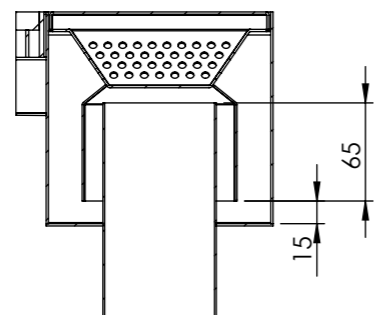
TOP VIEW



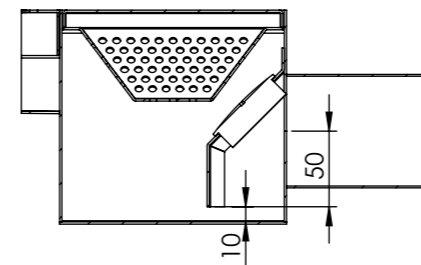
FRONT VIEW



FRONT VIEW



SECTION A-A
SCALE 1 : 5



SECTION B-B
SCALE 1 : 5

REPORT ALL ERRORS AND OMISSIONS DIMENSIONS TO BE CHECKED ON SITE
UNLESS OTHERWISE SPECIFIED: DIMENSIONS ARE IN MILLIMETERS

THIS DRAWING REMAINS THE PROPERTY OF ALULINE AND MAY NOT BE COPIED REPRODUCED, LENT OR DISCLOSED WITHOUT THEIR EXPRESS PERMISSION.

ALULINE RESERVE THE RIGHT TO MAKE A CHARGE FOR DRAWINGS

TITLE
CHANNELS

CLIENT



59-62 BRINDLEY ROAD
ASTMOOR INDUSTRIAL ESTATE
RUNCORN
CHESHIRE WA7 1PF

TEL: 01928 563532 FAX: 01928 580224

SCALE	DATE	DRAWN BY
	08/07/2008	ctorralba

DRAWING NO	REV