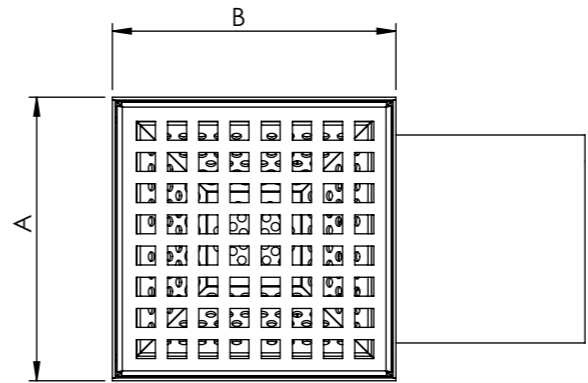
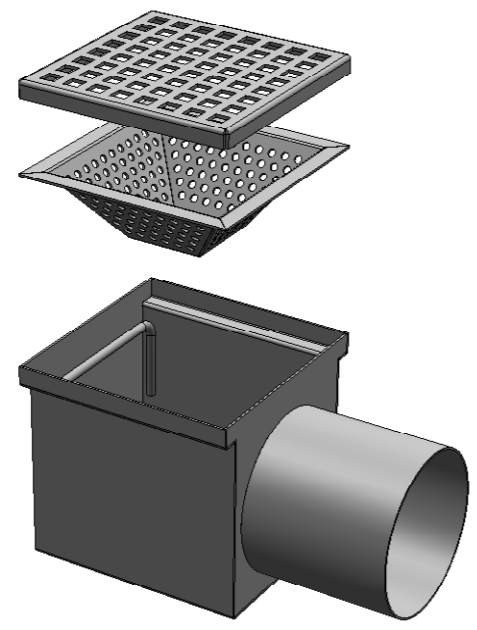
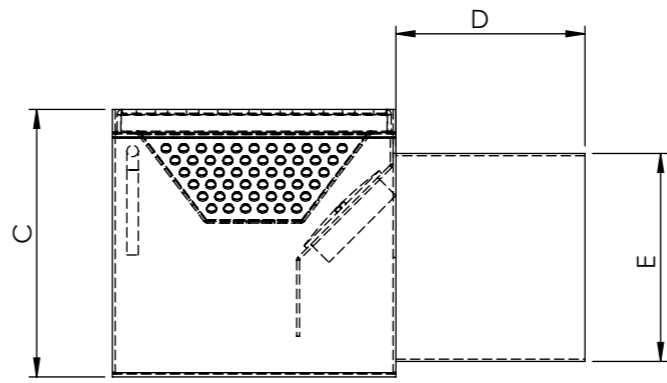
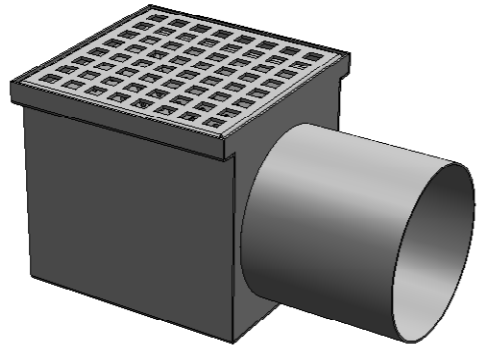


REVISIONS		
REV.	DESCRIPTION	DATE



GULLY	A(mm)	B(mm)	C(mm)	D(mm)	E(mm)
ALU3150H	150	150	150	60-100	50/75/110
ALU3200H	200	200	200	60-100	50/75/110

REPORT ALL ERRORS AND OMISSIONS
DIMENSIONS TO BE CHECKED ON SITE
UNLESS OTHERWISE SPECIFIED:
DIMENSIONS ARE IN MILLIMETERS

THIS DRAWING REMAINS THE PROPERTY OF
ALULINE AND MAY NOT BE COPIED REPRODUCED,
LENT OR DISCLOSED WITHOUT THEIR
EXPRESS PERMISSION.

ALULINE RESERVE THE RIGHT TO MAKE A CHARGE
FOR DRAWINGS

TITLE
**LIGHT DUTY GULLY
HORIZONTAL OUTLET**

CLIENT



59-62 BRINDLEY ROAD
ASTMOOR INDUSTRIAL ESTATE
RUNCORN
CHESHIRE WA7 1PF

TEL: 01928 563532 FAX: 01928 580224

SCALE	DATE	DRAWN BY
	24/07/2008	ctorralba

DRAWING NO	REV