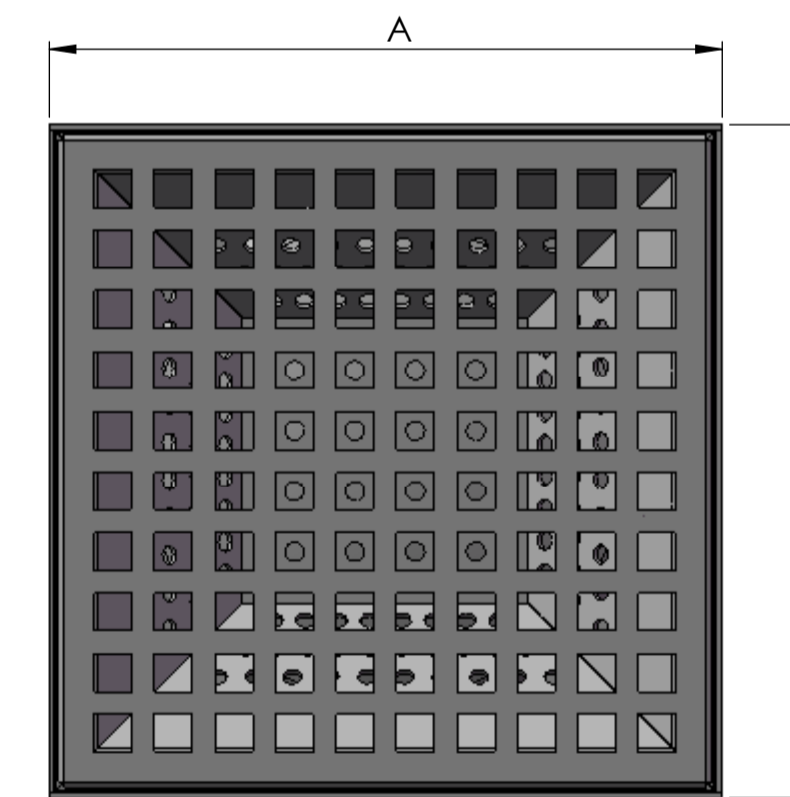
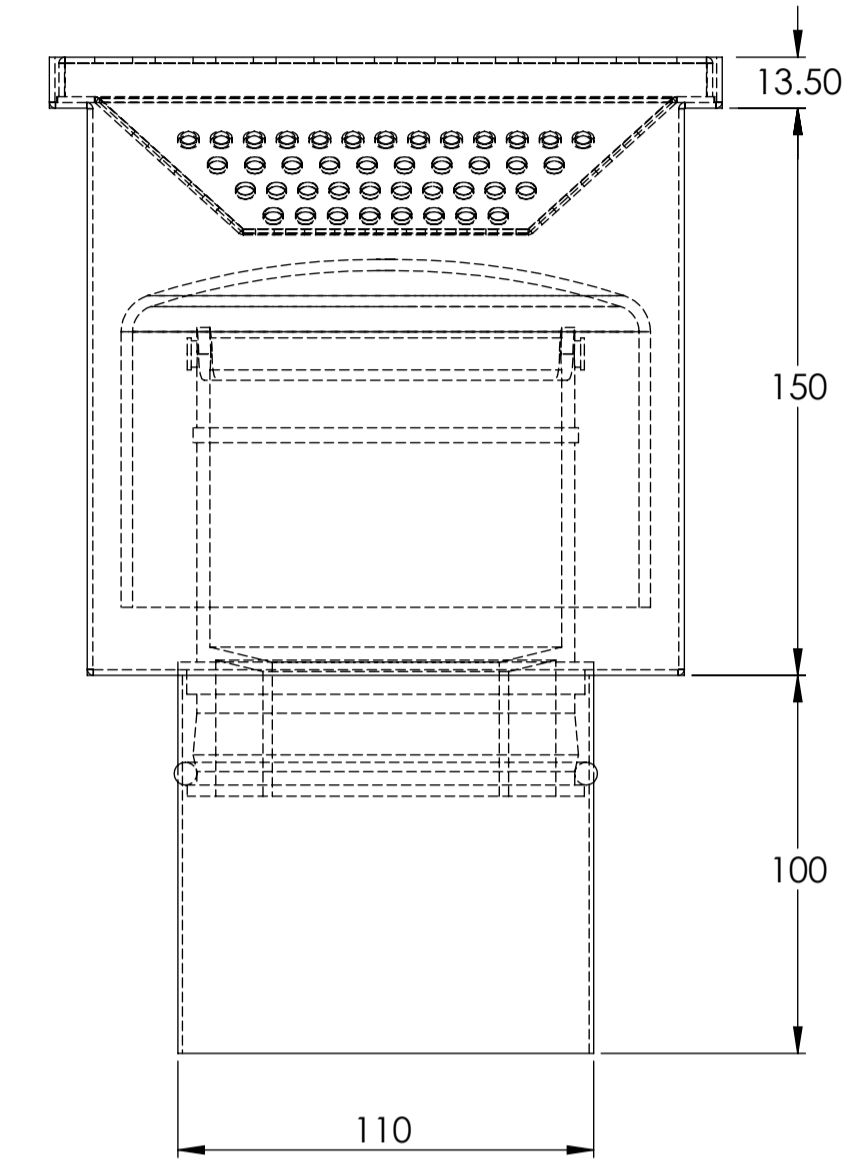



GRATING SIZE(mm)	A(mm)	B (mm)
200	178	178
300	278	278
400	378	378
450	428	428



REVISION		
REV.	DESCRIPTION	DATE
<small>REPORT ALL ERRORS AND OMISSIONS DIMENSIONS TO BE CHECKED ON SITE UNLESS OTHERWISE SPECIFIED: DIMENSIONS ARE IN MILLIMETERS</small>		
<small>THIS DRAWING REMAINS THE PROPERTY OF OLYMPIC AND MAY NOT BE COPIED, REPRODUCED, LENT OR DISCLOSED WITHOUT THEIR EXPRESS PERMISSION.</small>		
<small>OLYMPIC RESERVE THE RIGHT TO MAKE A CHARGE FOR DRAWINGS</small>		
TITLE		
CLIENT		
		
<small>59-62 BRINDLEY ROAD ASTMOOR INDUSTRIAL ESTATE RUNCORN CHESHIRE WA7 1PF</small>		
<small>TEL: 01928 563532 FAX: 01928 580224</small>		
SCALE	DATE	DRAWN BY
	dd/mm/yyyy	
DRAWING NO		REV